

CABINVISTA™

A CABIN CONTROL PANEL FROM THE SUMMIT™ LINE

The Telefonix PDT™ CabinVista™ Cabin Control Panel interfaces directly with your IFEC, Cabin Environment and Passenger Address systems for easy crew control and content updates.

Gain control of your In-Flight Entertainment and Connectivity (IFEC) equipment and cabin management systems with this innovative attendant display designed for integration with commercial, regional and business aircraft systems.

The Telefonix PDT CabinVista unit features a modern, sleek appearance intended to replace traditional switches and annunciation panels. This multipurpose product can be used as the primary control mechanism to the passenger IFEC system and to initiate PA announcements and cabin chimes. The CabinVista unit also provides 2 external interfaces to allow for uploading and downloading content to onboard servers via USB thumb drives.

The CabinVista attendant display is designed on an open source software platform that allows airline personnel to configure the display's user interface preferences, such as selecting background colors and patterns to match your cabin's décor and lighting environment. The CabinVista solution can be added as an aftermarket retrofit solution or can be used in conjunction with the complete Summit line.

THE SUMMIT LINE

The Telefonix PDT Summit line of aircraft Inflight Entertainment and Connectivity (IFEC) equipment is comprised of state-of-the-art system components that offer you the premier solution set available on the market today. Summit hardware elements can easily be added to enhance your current system or can be combined to create a unique solution to meet your IFEC needs.



PRODUCT FEATURES

- Screen** 7" Capacitive 1024 x 600 Touch Screen Color Display
- Content Loading** 2 Integrated USB Ports for Uploading/Downloading Content to Remote Equipment
- Gig-Ethernet Interface** For Communication to a Remote Server For Local Maintenance Interrogation
- Graphical User Interface** Provides Operational Control of the IFEC System (On/Off, Selection of Services Offered, etc.)
- Status** Provides Presentation of Equipment Status (Fault Reporting) and Configuration (Software Version) of System Components
- Door Panel** Allows Maintenance Technician to Gain Remote Access to the Connectivity/IFE System
- CPU** Operating System: Android 4.2
- Power** Low Power Consumption Operates from +28 VDC Aircraft Power or Power over Ethernet
- Additional Features** Flexible Design Simplifies Aircraft Integration Activities Optional 802.11AC and Bluetooth

L x W x H: 9.53" x 1.89" x 7.28"
Weight: 5 lbs (2.28 Kg)



HQ: 2340 Ernie Krueger Circle Waukegan, IL 60087 USA
P 1.847.244.4500 F 1.847.244.4525 info@telefonixinc.com

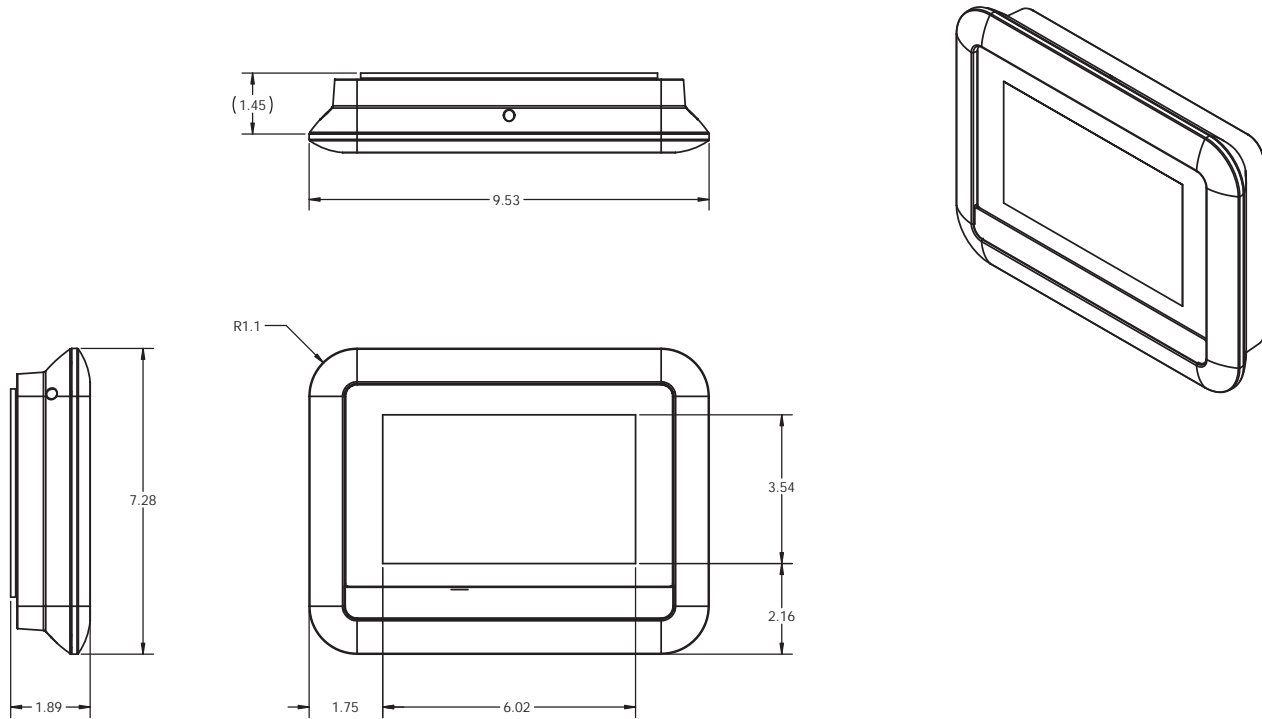
Copyright © 2017 Telefonix, Inc. All Rights Reserved. Telefonix is a registered trademark of Telefonix, Inc. Telefonix PDT, CabinVista, and the Summit logo are trademarks of Telefonix, Inc.

TELEFONIX PDT™
telefonixpdt.com



OUTLINE DIMENSIONS

In Inches



ENVIRONMENTAL/EMI TEST REQUIREMENTS

DESCRIPTION	SECTION	RTCA/DO-160G CATEGORY
Temperature	Section 4	Category A1
Altitude and Overpressure	Section 4	Category A1
Temperature Variation	Section 5	Category C
Humidity	Section 6	Category A
Operational Shock/Crash Safety	Section 7	Category B
Vibration	Section 8	Category S (Curve B)
Magnetic Effect	Section 15	Category A
Power Input	Section 16	Category A
Voltage Spike	Section 17	Category A
Audio Frequency Conducted Susceptibility - Power Inputs	Section 18	Category R(WF)
Induced Signal Susceptibility	Section 19	Category AW
Radio Frequency Susceptibility (Radiated & Conducted)	Section 20	Category T
Emissions of Radio Frequency Energy	Section 21	Category M
Lightning-Induced Transient	Section 22	Category B2xxx - Power Supply Pins Category xxC1x - Unshielded Cables Category xxE1x - Shielded Cables
Electrostatic Discharge	Section 25	Category A
Fire/Flammability	Section 26	14 CFR Section 25.853(A) and 14 CFR Section 25.869(A)(4)

Equipment specifications are updated from time to time to ensure that Telefonix PDT product designs are in line with ongoing market and technology advancements. Please contact us for the most up to date product details.



HQ: 2340 Ernie Krueger Circle Waukegan, IL 60087 USA
P 1.847.244.4500 F 1.847.244.4525 info@telefonixinc.com

Copyright © 2017 Telefonix, Inc. All Rights Reserved. Telefonix is a registered trademark of Telefonix, Inc. Telefonix PDT, CabinVista, and the Summit logo are trademarks of Telefonix, Inc.

