



A WIRELESS ACCESS POINT FROM THE SUMMIT™ LINE

The Telefonix PDT™ CabinACe™ Wireless Access Point (WAP) is an ultra-fast data communications device designed specifically for aircraft wireless network environments.



The small form factor and low power consumption design of the CabinACe WAP is suitable for line fit or retrofit applications on both commercial and business jet installations. It can be installed as part of a new system design or can be used to enhance the passenger experience on existing in-flight entertainment and connectivity (IFEC) installations. This product enables flight crew and passenger use of multimedia streaming, gaming, point-of-sale applications, in-flight web browsing and more.

The CabinACe product design is based on Access Point and radio technology from Aruba Networks. With a maximum data rate of 1.3 Gbps in the 5 GHz band and 600 Mbps in the 2.4 GHz band, CabinACe is three-times faster than 802.11n WAPs. The technology inside CabinACe continuously gathers session performance metrics from mobile devices and uses this information to “steer” each client device to the optimal onboard WAP. Combined with active beam forming, this creates the best possible RF path and optimizes bandwidth and throughput performance to client devices thereby improving the passenger connectivity experience and video quality. CabinACe also includes wireless intrusion and attack protection which provides industry leading security and encryption technologies.

There are currently two versions of the Wave 1 CabinACe WAP available: One version with six internal antennas and a second version with external connectors for RF that will allow the unit to work with existing external antennas. Whatever your application, the CabinACe is the ideal solution for your specific IFEC system needs.

## THE SUMMIT LINE

The Telefonix PDT Summit line of aircraft Inflight Entertainment and Connectivity (IFEC) equipment is comprised of state-of-the-art system components that offer you the premier solution set available on the market today. Summit hardware elements can easily be added to enhance your current system or can be combined to create a unique solution to meet your IFEC needs.

## PRODUCT FEATURES

**Wireless Protocol** 802.11ac (Wave 1) Backwards Compatible to 802.11a/b/g/n

**Radio Operation**

Spatial Streams 3

MIMO 3x3

Max Throughput 1.3 Gbps (5 GHz band), 600 Mbps (2.4 GHz band)

**Antennas** Integrated Active or External Beamforming Antenna

**I/O Connectors** Ethernet: 2x GigE  
Discrete Input - Enable, RF Enable  
Discrete Output - RF Status, PSU Status

**Ethernet Bypass** Redundant Power Supply to Allow Downstream WAPs to Communicate with Server in the Event of a Failure in the WAP (Daisy Chain Architecture)

**Static IP Addressing (per ARINC 628)** 4-bits Available (16 Possible Addresses can be Assigned via the Power/Signal Input Cable)

**Power** 115VAC, 360-800Hz

**Mounting** ARINC 836 Modular Rack Mountable

**Environment** Natural Convection, Qualified to DO-160G

**Service Protocols** Implementation of WMM/802.11e Air QoS Applicable for Services where Session Prioritization Is Required (VoIP)  
Implementation of WiFi Airtime Fairness Limits Amount of Time Each Device Has Access to a Radio  
Wide Dynamic Range in Transmit Power Critical for Operation in an Aircraft Cabin Due to Reflections

**Security** Wireless Intrusion Detection/Prevention Eliminates Need for Separate RF Monitoring Sensor

L x W x H: 11.30" x 7.85" x 2.39"  
Weight: 4.5 lbs (2.0 Kg)



HQ: 2340 Ernie Krueger Circle Waukegan, IL 60087 USA  
P 1.847.244.4500 F 1.847.244.4525 info@telefonixinc.com

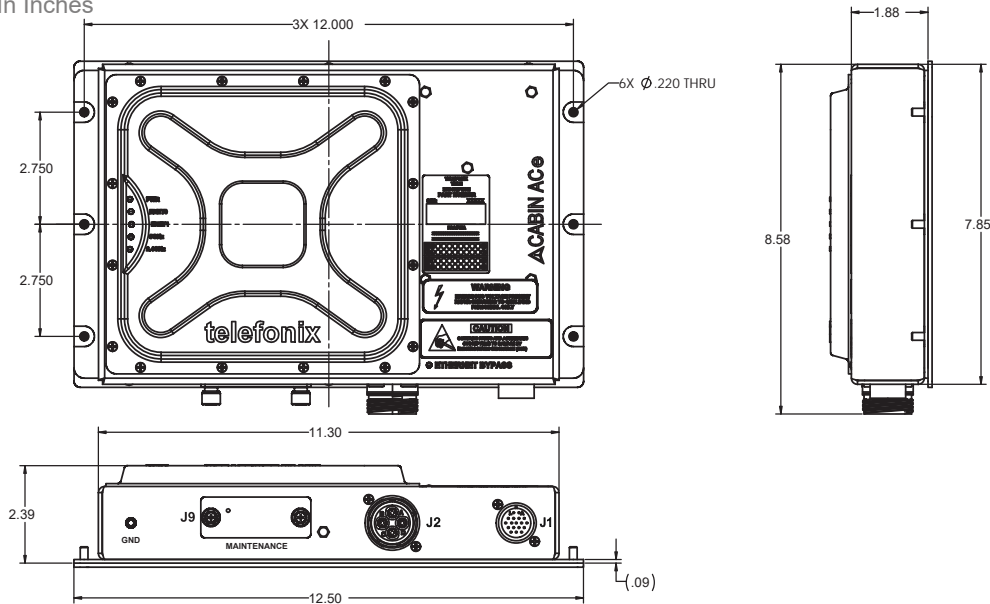
Copyright © 2017 Telefonix, Inc. All Rights Reserved. Telefonix is a registered trademark of Telefonix, Inc. Telefonix PDT, CabinACe, and the Summit logo are trademarks of Telefonix, Inc.

TELEFONIX PDT™  
telefonixpdt.com



# OUTLINE DIMENSIONS

In Inches



## CONNECTORS

| REF DESIGNATOR | DESCRIPTION    | SIGNAL TYPE                   | PART NO.             | MFG.       |
|----------------|----------------|-------------------------------|----------------------|------------|
| J2             | Ethernet       | Gigabit Ethernet              | CA140266-54          | ITT Cannon |
| J1             | Signal/Power   | Input Power/ A/C Interfaces   | MS3112E14-18P        | Various    |
| J9             | Serial Console | RS-232 Serial Interface to AP | D Sub 9 pin (female) | Various    |

## ENVIRONMENTAL/EMI TEST REQUIREMENTS

| DESCRIPTION   | SECTION    | RTCA/DO-160G CATEGORY  |
|---|------------|--|
| Temperature   | Section 4  | Category A1  |
| Altitude  | Section 4  | Category A1  |
| Temperature Variation                                   | Section 5  | Category C   |
| Humidity  | Section 6  | Category A   |
| Operational Shock/Crash Safety                          | Section 7  | Category B   |
| Vibration   | Section 8  | Category S (Curve B)   |
| Magnetic Effect   | Section 15 | Category A   |
| Power Input   | Section 16 | Category A(WF)X  |
| Voltage Spike   | Section 17 | Category A   |
| Audio Frequency Conducted Susceptibility - Power Inputs | Section 18 | Category R(WF)   |
| Induced Signal Susceptibility                           | Section 19 | Category ZW  |
| Radio Frequency Susceptibility (Radiated & Conducted)   | Section 20 | Category T   |
| Emissions of Radio Frequency Energy                     | Section 21 | Category M   |
| Lightning-Induced Transient                             | Section 22 | Category B2xxx - Power Supply Pins<br>Category xxC1x - Unshielded Cables<br>Category xxE1x - Shielded Cables |
| Electrostatic Discharge                                 | Section 25 | Category A   |
| Fire/Flammability                                       | Section 26 | 14 CFR Section 25.853(A) and<br>14 CFR Section 25.869(A)(4)  |

Equipment specifications are updated from time to time to ensure that Telefonix PDT product designs are in line with ongoing market and technology advancements. Please contact us for the most up to date product details.



HQ: 2340 Ernie Krueger Circle Waukegan, IL 60087 USA  
P 1.847.244.4500 F 1.847.244.4525 info@telefonixinc.com

Copyright © 2017 Telefonix, Inc. All Rights Reserved. Telefonix is a registered trademark of Telefonix, Inc. Telefonix PDT, CabinAce, and the Summit logo are trademarks of Telefonix, Inc.

